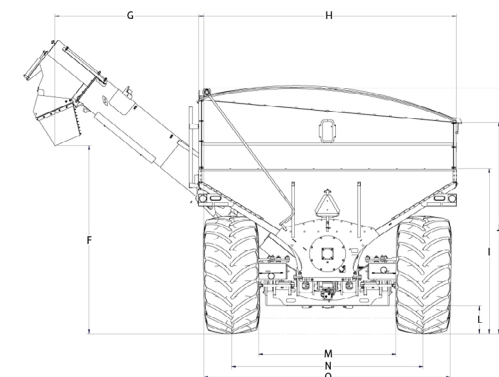
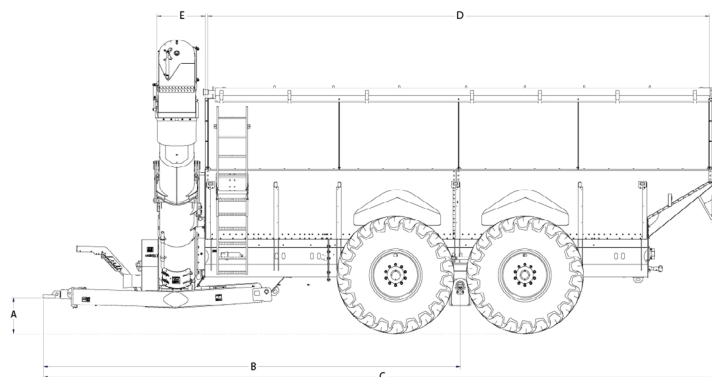


| | 1122DXR | | | 1522DXR | | | 2022DXR | |
|--------------------------------------|----------------------------------|--------------------------|----------------|----------------------------------|---------------|------------------|----------------------------------|--|
| General | | | | | | | | |
| Capacity ¹ (bushels) | 1,150 | | | 1,500 | | | 2,000 | |
| Unload Speed (bu/min) | 800 | | | 800 | | | 800 | |
| Minimum Horsepower | 225+ | | | 300+ | | | 400+ | |
| Auger Diameter | 20" Horizontal into 22" Vertical | | | 20" Horizontal into 22" Vertical | | | 20" Horizontal into 22" Vertical | |
| Flighting | 1/2" Extended Life | | | 1/2" Extended Life | | | 1/2" Extended Life | |
| Adjustable Discharge Travel | 91° | | | 91° | | | 91° | |
| Undercarriage | | | | | | | | |
| | High Flotation | Extreme Flotation | Tracks | Tandem | Tracks | Tandem | Tracks | |
| Tire/Track size | LSW1100/45R46 | IF1250/50R32 | 136" x 36" | 900/60R32 | 147" x 36" | IF 900/60R32 CFO | 170" x 36" | |
| Tire Load Index | 195 | 201 | n/a | 185 | n/a | 188-A8 | n/a | |
| Axle Spindle Diameter | 5.5" | 5.5" | 5.5" | 3.75" | 5.5" | 4.5" | 5.5" | |
| Loaded Surface Ground Pressure (psi) | 37 | 33 | 13 | 47 | 14 | 41 | 15 | |
| Weight | | | | | | | | |
| Empty (lb) | 19,500 | 20,000 | 29,500 | 29,000 | 31,500 | 30,780 | 33,700 | |
| Tongue - Empty (lb) | 3,600 | 3,600 | 3,600 | 3,900 | 3,900 | 4,340 | 4,340 | |
| Tongue - Full (lb) | 5,200 | 5,200 | 5,200 | 5,700 | 5,700 | 5,175 | 5,175 | |
| Dimensions | | | | | | | | |
| A - Hitch Height | 1'4" - 1'9" | 1'4" - 1'9" | 1'4" - 1'9" | 1'4" - 1'9" | 1'4" - 1'9" | 1'4" - 1'9" | 1'4" - 1'9" | |
| B - Axle to Tongue Length | 18' 3" | 18' 3" | 18' 3" | 21' | 21' | 22' 4" | 22' 4" | |
| C - Overall Length | 27' 7" | 27' 7" | 27' 7" | 33' | 33' | 36' | 36' | |
| D - Hopper Length | 18' 4" | 18' 4" | 18' 4" | 24' | 24' | 27' 5" | 27' 5" | |
| E - Auger Forward Reach | n/a | n/a | n/a | n/a | n/a | n/a | n/a | |
| F - Discharge Height | 9'10" - 16'11" | 9'10" - 16'11" | 9'10" - 16'11" | 9'5" - 16'6" | 9'5" - 16'6" | 9'9" - 16'10" | 9'9" - 16'10" | |
| G - Auger Reach | 5'3" - 9'3" | 5'3" - 9'3" | 5'3" - 9'3" | 5'3" - 9'3" | 5'3" - 9'3" | 5'3" - 9'3" | 5'3" - 9'3" | |
| H - Overall Width | 13' 2" | 13' 2" | 13' 2" | 12' 9" | 12' 9" | 13' 11" | 13' 11" | |
| I - Minimum Hopper Height | 11' 5" | 11' 2" | 11' | 11' | 11' | 11' 6" | 11' 6" | |
| J - Loading Side Height | 11' 5" | 11' 2" | 11' | 11' | 11' | 11' 6" | 11' 6" | |
| K - Transport Height | 12' 11" | 12' 8" | 12' 6" | 12' 6" | 12' 6" | 12' 6" | 12' 6" | |
| L - Ground Clearance | 1' 6" | 1' 2" | 1' 2" | 10" | 1' 2" | 1' 2" | 1' 2" | |
| M - Wheel Inside Width | 5' 11" | 5' 5" | 6' 2" | 7' 6" | 6' 2" | 7' 5" | 6' 10" | |
| N - Wheel Track Width | 9' 6" | 9' 6" | 9' 2" | 10' 5" | 9' 2" | 10' 6" | 9' 10" | |
| O - Wheel Outside Width | 13' 2" | 13' 8" | 12' 2" | 13' 3" | 12' 2" | 13' 7" | 12' 10" | |

¹ Bushel capacities measured with 56 lb. corn at 15% moisture.



For more information

Call us at 1-866-4-BRANDT
 Email us at agriculture@brandt.ca
 Or visit us at www.brandt.ca

Brandt Agricultural Products

PO Box 317, 13th Avenue & Pinkie Road
 Regina, SK, Canada
 S4P 3A1